

This smoke alarm has a built-in interface for use with a Goose.

- Detect smoke in your server room
- Wiring allows smoke alarms to trigger as a group
- Connects to a Goose via Analog Input or CCAT
- Receive alerts through email or SNMP

This kit combines a standard Kidde smoke alarm with an analog sensor interface for connecting to a Goose climate monitor. If smoke is detected the audible alarm will sound and Goose can then send you an alert. The SA-1 is wired and assembled, ready for installation.

The smoke alarm is powered by 120VAC line voltage and contains a 9V battery for backup in the case of power failure. The interface box is attached to the smoke alarm and provides a power cable and signal wires to connect to the climate monitor.

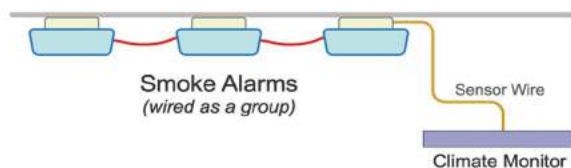
GROUP WIRING

This type of smoke alarm can be daisy-chained with other smoke alarms to form a group. If any sensor detects smoke then all smoke alarms are triggered, along with climate monitors connected through an interface box.

CONNECTING TO THE GOOSE

The smoke alarm can be wired directly to an Analog Input on the Goose. If an Analog Input isn't available, another option is to use a CCAT analog-to-digital interface to connect the sensor to a digital sensor port.

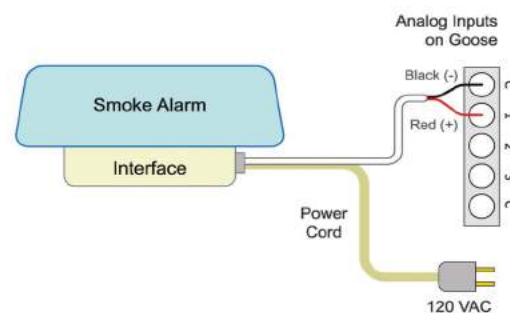
The Goose interface allows you to configure alarms and get alerts through email or SNMP trap if smoke is detected.



A Goose climate monitor is wired via interface box to a group of smoke alarms. If smoke is detected, all sensors and the Goose are alerted.



The Smoke Alarm kit contains all the parts to get smoke detection up and running fast. A 5-15 power plug connector is standard.



The supplied wiring makes installation easy. Plug the cord into the wall plug; attach the output wires to the Goose. Test the installation by pressing the "Test" button on the sensor.

Sensor Details

Specifications

Smoke Alarm: Kidde 1275 (or equivalent)
Dry-contact type sensor
Power: 120VAC with 9VDC battery backup
Power cable: 20' with 5-15 plug
Signal wire: 30', 2-conductor
Warranty: 1 year (extended warranties available)

Compatibility

Works with all climate/power monitors with analog ports
Compatible with CCAT Analog-to-Digital Interface

Model Number: SA-1



ITWatchDogs